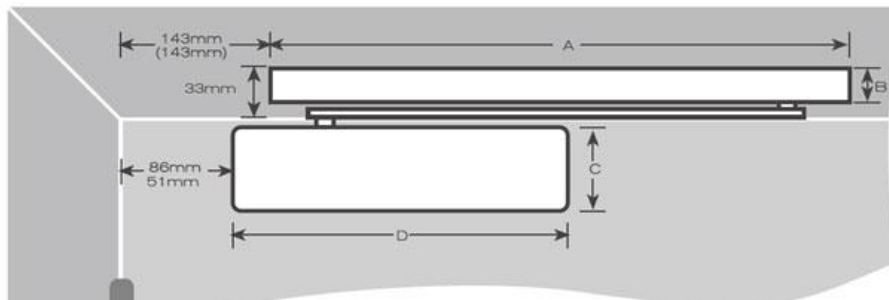


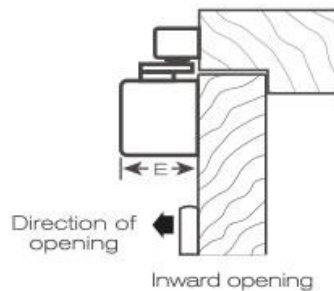
## 44008 Door Closer SSS

Not to scale



A - 428mm  
 B - 20mm  
 C - 70mm  
 D - 312mm  
 E - 55mm

(dimensions in brackets are for outward opening doors with 1.2mm stops)



### Overview

- Adjustable power guide rail door closer – stainless steel
- Non-projecting arm prevents vandalism
- Complies with the requirements of BS 8300 & Approved Document M (please consult our technical department for more information)
- Suitable for interior doors up to 1100mm wide

### Finishes

- SSS Satin Stainless Steel
- PSS Polished Stainless Steel

### Maintenance

- To be carried out by approved specialists only
- A door stop must be fitted to limit the opening of the door
- Regularly check the assembly for tolerance and undue wear
- Tighten any screws or bolts that may become loose and adjust the closer if necessary
- Annually grease the moving parts and check the operation of the doors adjusting if necessary
- Repair works or any replacements have to be executed by the manufacturer or specialists authorised by the manufacturer
- If, for any reason, the product fails due to a defect in manufacture, contact us and we will advise on the replacement procedure

### Standards

CE Marked  
 Fully tested to EN1 154  
 Classification 4.8.4/2.1.1.3

### Performance

Tested to meet the requirements of PAS24 as part of a compliant door set

### Warranty

Supported by a 2 year warranty

### Packaging

Individually boxed with assembly & care instructions. Multiple handles in an outer box (varies per order).

### Please note:

Aspex reserves the right to change specification without notice.