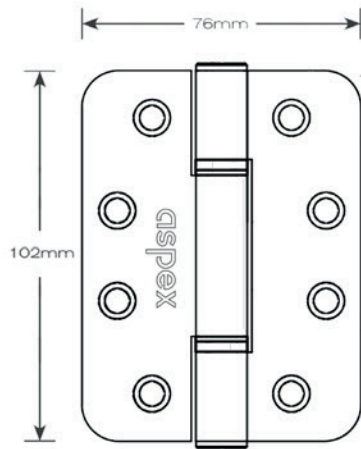




## Hinges



### 20052 102x76x3mm self lubricating hinge

- BS EN 1935 Grade 14 tested
- Tested to Grade 7 door mass - 160kg
- Fire Tested Suitable for 30 & 60 minute timber doors
- CE marked
- Certifire approved
- Radiused corners
- Available in satin stainless steel

---

## Maintenance

To be carried out by approved specialist only.

No abrasives or chemical materials to be used. Wipe with soft damp cloth or, when necessary, warm soapy water and a soft cloth. At least once a year, check for tolerance and wear, and tighten any screws that may become loose.

If for any reason the products fail due to a defect in manufacture, contact us and we will advise you of the replacement procedure.